



Single ball shuttle valve with signal external

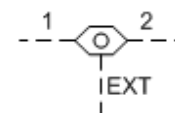
Capacity:
2.5 gpm (10 L/min.)

Functional Group:

Products : Cartridges : Shuttle Valve : 2-Port : Single Ball, Signal External

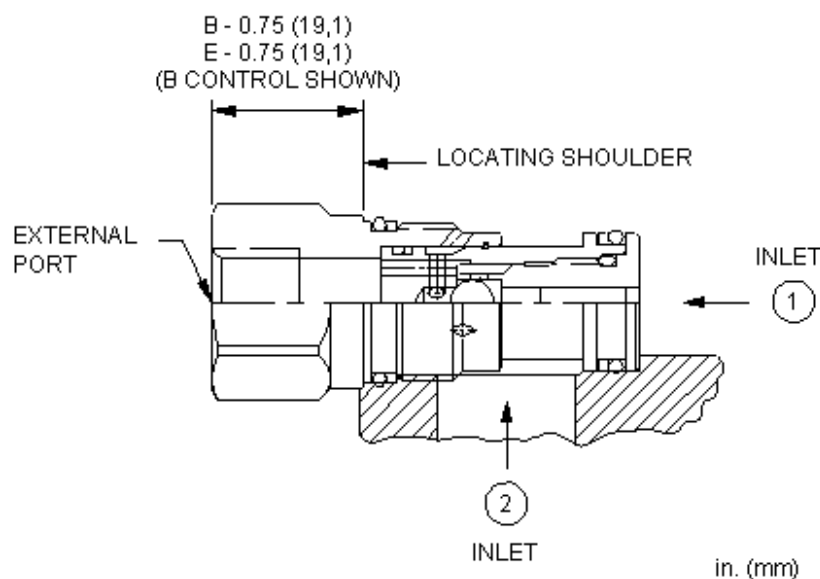
Model:

CSAA



Product Description

The single ball shuttle connects the higher of two work ports to the signal or common port. The signal is sensed at an external port located in the hex-end of the cartridge.

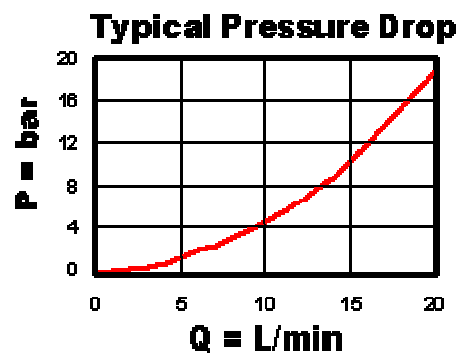
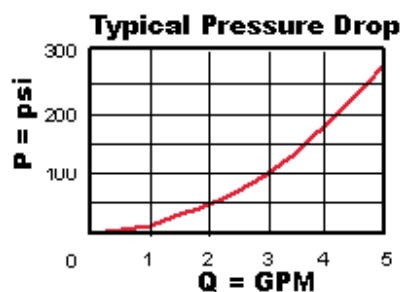


Technical Features

- Shuttle cartridges feature hardened steel balls and seats for excellent wear characteristics and contamination tolerance.
- The single ball allows for the decay of the pressure signal when both load ports drop to a lower pressure.
- Incorporates the Sun floating style construction to minimize the possibility of internal parts binding due to excessive installation torque and/or cavity/cartridge machining variations.

Technical Data

	U.S. Units	Metric Units
Cavity	T-13A	
Capacity	2.5 gpm	10 L/min.
Maximum Operating Pressure	5000 psi	350 bar
Maximum Valve Leakage at 110 SUS (24 cSt)	5 drops/min.	0,3 cc/min.
Series (from Cavity)	Series 1	
Valve Hex Size	7/8 in.	22,2 mm
Valve Installation Torque	30 - 35 lbf ft	40 - 50 Nm
Seal Kits - Cartridge	Buna: 990-010-007	
Seal Kits - Cartridge	Viton: 990-010-006	
Model Weight	0.22 lb.	0.10 kg.



CSAA-EXN

Control	Adjustment Range	Seal Material	Material/Coating Modifier
Standard Options B External 1/4 BSPP Port E External 4-SAE Port	Standard Options X -	Standard Options N Buna-N V Viton	Preferred Options No modifier (standard material with no special coating) Special Options /AP Stainless Steel, Passivated Control: B Control: E <i>Our corrosion resistant product line is growing! If you are interested in a corrosion resistant option for this model, please contact Sun.</i>

When the modifier is /AP, the control must be B or E