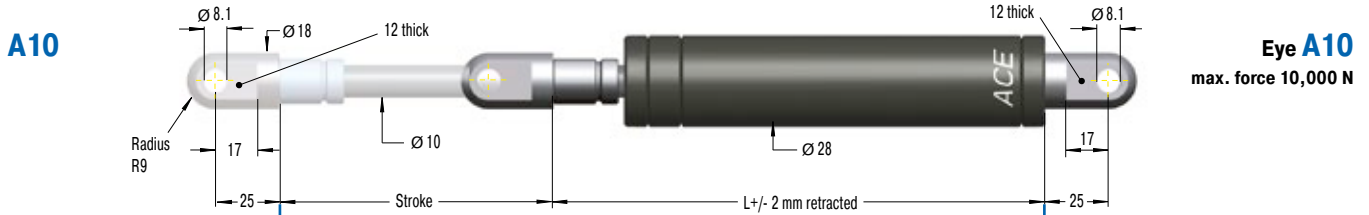


Valve Technology, Traction force range 150 N to 1,200 N (extended up to 1,440 N)

### End Fitting

### Standard Dimensions

### End Fitting



### B10

### Stud Thread B10

### C10

### Angle Ball Joint C10

### D10

### Clevis Fork D10

### E10

### Swivel Eye E10

Performance and Dimensions			
TYPES	Stroke mm	L retracted mm	Traction Force Range max. N
GZ-28-30	30	130	1,200
GZ-28-50	50	150	1,200
GZ-28-100	100	200	1,200
GZ-28-150	150	250	1,200
GZ-28-200	200	300	1,200
GZ-28-250	250	350	1,200
GZ-28-300	300	400	1,200
GZ-28-350	350	450	1,200
GZ-28-400	400	500	1,200
GZ-28-450	450	550	1,200
GZ-28-500	500	600	1,200
GZ-28-550	550	650	1,200
GZ-28-600	600	700	1,200
GZ-28-650	650	750	1,200

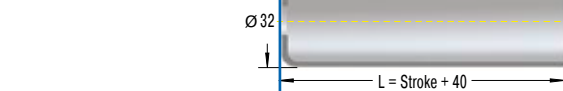
### Ordering Example

**GZ-28-150-EE-800**

Type (Pull Type) \_\_\_\_\_  
 Body Ø (28 mm) \_\_\_\_\_  
 Stroke (150 mm) \_\_\_\_\_  
 Piston Rod End Fitting E10 \_\_\_\_\_  
 Body End Fitting E10 \_\_\_\_\_  
 Traction Force F<sub>1</sub> 800 N \_\_\_\_\_

Mounting accessories see from page 200.

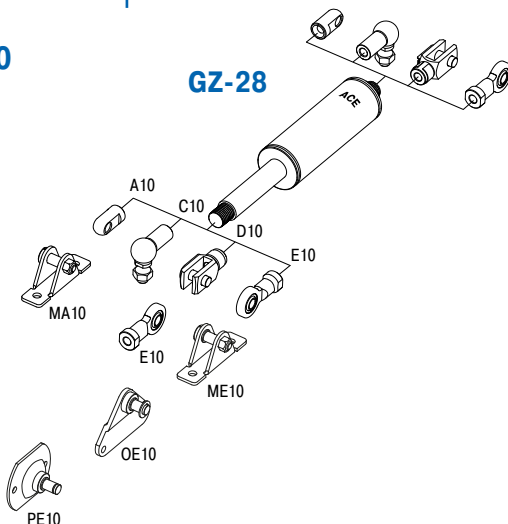
### Rod Shroud W10-28



### Adjuster Knob DE-GAS-10

See page 175.

### GZ-28



### Technical Data

- Traction force range:** 150 N to 1,200 N (extended up to 1,440 N)
- Progression:** Approx. 20 %
- Lifetime:** Approx. 2,000 m
- Operating temperature range:** -20 °C to +80 °C
- Material:** Outer body, End fittings: Zinc plated steel; Piston rod: Steel with wear-resistant coating
- Mounting:** With piston rod upwards.
- End position damping length:** Without damping. For end position damping use damping material (e.g. TUBUS or SLAB).
- Positive stop:** External positive stop at the end of stroke provided by the customer.
- End fittings:** They are interchangeable and if necessary must be positively secured by the customer to prevent unscrewing.